



TECHNICAL DATA

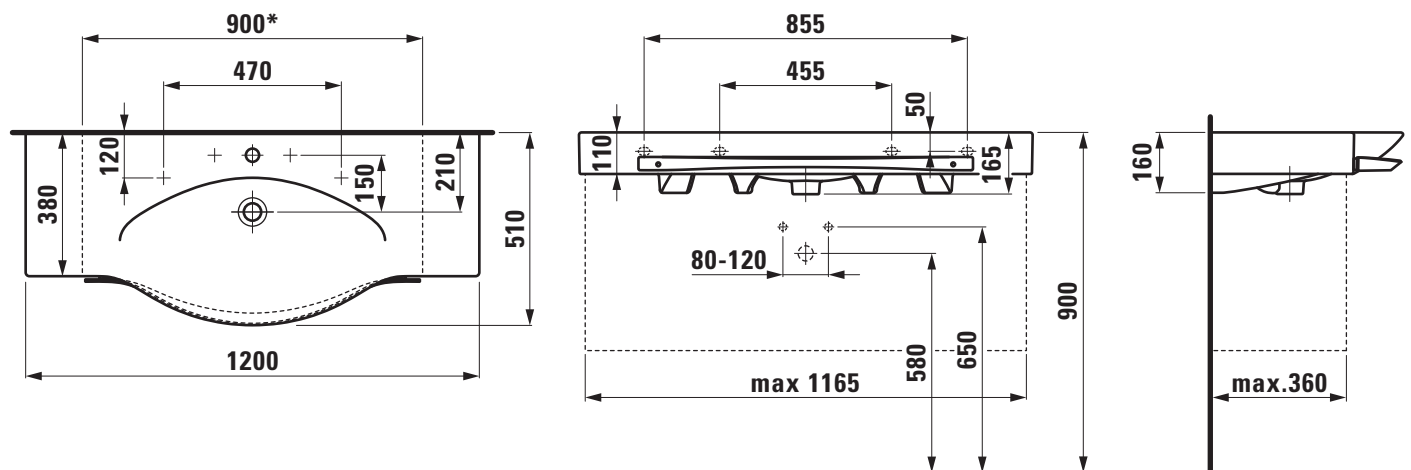
Order no.	81270.4
Certified to	EN 14688
Dimensions	1200 x 380/510 mm
Inside dimensions of the basin	700 x 350 mm
Specification	Always to be fixed to the wall. Cut one-sided to 900 mm incl. towel rail order no. 38170.4 Charge 104 – 1 centre tap hole, with overflow
Special specification	Charge 111 – 1 centre tap hole, without overflow Charge 108 – 3 tap holes, with overflow Charge 136 – 3 tap holes, distance 8 inches, with overflow Charge 158 – 3 tap holes, without overflow Charge 109 – without tap holes, with overflow Charge 112 – without tap holes, without overflow 1 centre tap hole, 1 hole left for soap dispenser Charge 804 – with overflow Charge 816 – without overflow 1 centre tap hole, 1 hole right for soap dispenser Charge 805 – with overflow Charge 817 – without overflow 1 centre tap hole, 1 hole right for electronic valve unit to control the temperatur of the water and the flow rate Charge 814 – with overflow Charge 815 – without overflow

Special specification	3 tap holes, 1 hole left for soap dispenser Charge 808 – with overflow Charge 820 – without overflow 3 tap holes, 1 hole right for soap dispenser Charge 809 – with overflow Charge 821 – without overflow
Weight	32,5 kg
Mounting acc. excl.	2x Mounting set M10 x 140 mm, order no. 89988.2
Otherwise	When ordering the cut version use the order form for cutting
Colours	see colour table

SPECIFICATION TEXT

Cutable countertop basin Laufen-PALACE, sanitary ceramic, EN 14688, dimensions 1200 x 380/510 mm, symmetric, 1 centre tap hole
Special feature: overflow channel glazed, cuttable to 900 mm, integreat-ed shelves, with towel rail
Further options / accessories: Surface refinement LCC (only white), 3 tap holes, without tap holes, with or without overflow, hole for soap dispenser left or right, electronic valve unit to control water temperature and flow rate, 3 tap holes distance 8 inches with overflow, furniture
Order no. 81270.4

TECHNICAL DRAWINGS / S 1 : 20



* = minimum measure for cutting